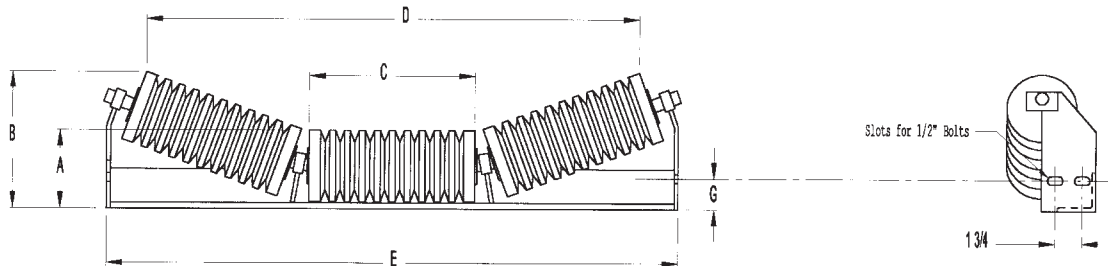


3-Roll Rubber Impact Rollers 20-Degree Low-Headroom

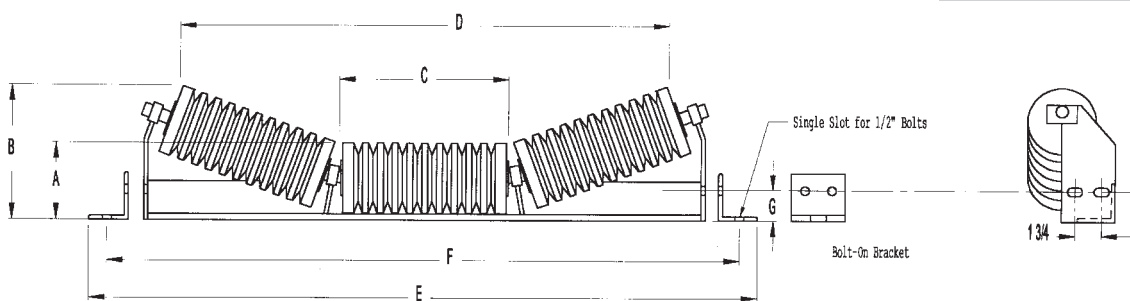
4 1/2" Dia. Rollers, Sealed for Life Bearings

Inside Mount



Belt Width	Part Number	A	B	C	D	E	G	Rollers	Center Pins	End Pins	Weight in lbs
18	MJL1820I	4 7/8	7 1/8	6 3/8	19 1/4	23 1/2	1	R450606	SS4584	SS4581	45
24	MJL2420I	4 7/8	7 7/8	8 1/2	25 1/4	29 1/2	1	R450808	SS4584	SS4581	53
30	MJL3020I	4 7/8	8 1/2	10 1/2	31	35 1/2	2	R451008	SS4584	SS4581	63
36	MJL3620I	4 7/8	9 1/4	12 1/2	37	41 1/2	2	R451208	SS4584	SS4581	71
42	MJL4220I	4 7/8	10	14 1/2	42 3/4	47 1/2	2	R451408	SS4584	SS4581	85
48	MJL4820I	4 7/8	10 5/8	16 1/2	48 3/8	53 1/2	2	R451608	SS4584	SS4581	95

Top-Mount Single Hole



Belt Width	A	B	C	D	G	Part Number	E	F	Bracket	Part Number	E	F	Bracket	Rollers	Center Pins	End Pins	Weight in lbs
18	4 7/8	7 1/8	6 3/8	19 1/4	1	MJL1820I-1	28	26	TRB121	MJL1820I-2	29	27	TRB122	R450606	SS4584	SS4581	46
24	4 7/8	7 7/8	8 1/2	25 1/4	1	MJL2420I-1	34	32	TRB121	MJL2420I-2	35	33	TRB122	R450808	SS4584	SS4581	54
30	4 7/8	8 1/2	10 1/2	31	2	MJL3020I-1	40	38	TRB123	MJL3020I-2	41	39	TRB124	R451008	SS4584	SS4581	64
36	4 7/8	9 1/4	12 1/2	37	2	MJL3620I-1	46	44	TRB123	MJL3620I-2	47	45	TRB124	R451208	SS4584	SS4581	72
42	4 7/8	10	14 1/2	42 3/4	2	MJL4220I-1	52	50	TRB123	MJL4220I-2	53	51	TRB124	R451408	SS4584	SS4581	86
48	4 7/8	10 5/8	16 1/2	48 3/8	2	MJL4820I-1	58	56	TRB123	MJL4820I-2	59	57	TRB124	R451608	SS4584	SS4581	96