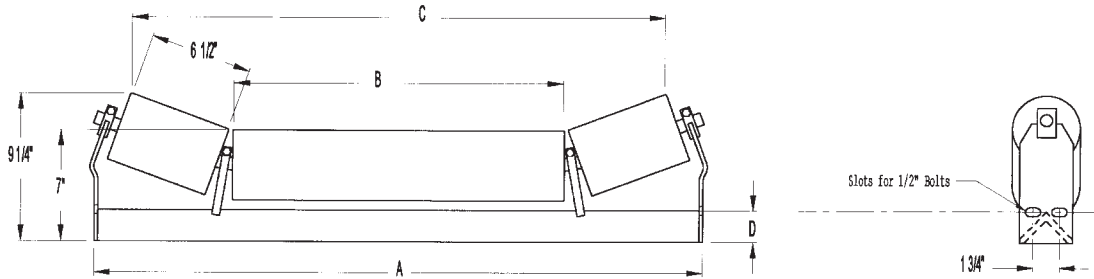


3-Roll Steel Rollers 20-Degree Picking

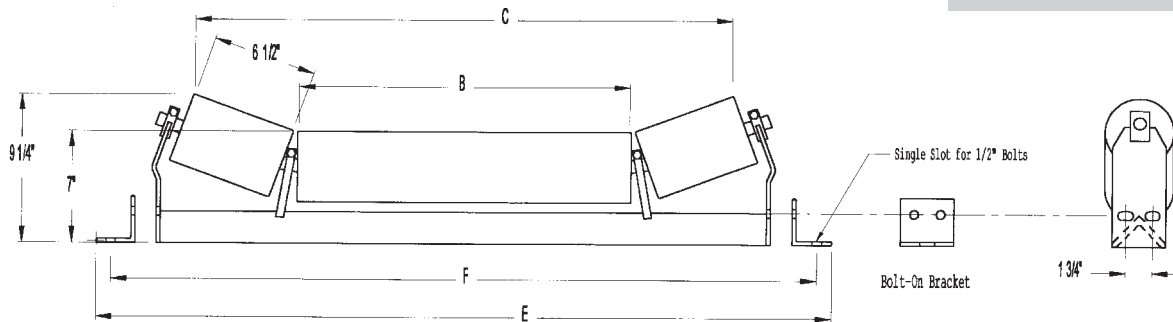
4 1/2" Dia. Rollers, Sealed for Life Bearings

Inside Mount



Belt Width	Part Number	A	B	C	D	End Rollers	Center Roller	Center Pins	End Pins	Weight in lbs
30	MJP3020	36	18 1/2	31 3/8	2	S450608	S451808	SS4584	SS4581	41
36	MJP3620	42	24 1/2	37 3/8	2	S450608	S452408	SS4584	SS4581	46
42	MJP4220	48	30 1/2	43 3/8	2	S450608	S453008	SS4584	SS4581	55
48	MJP4820	54	36 1/2	49 3/8	2	S450608	S453608	SS4584	SS4581	65

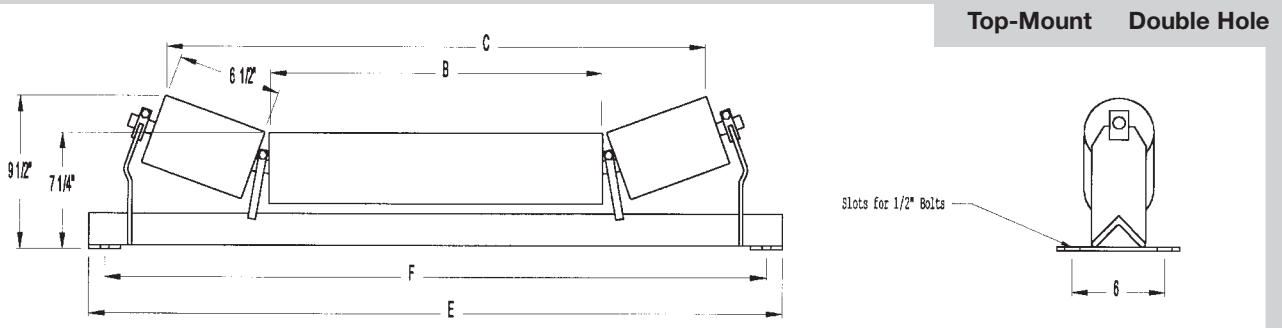
Top-Mount Single Hole



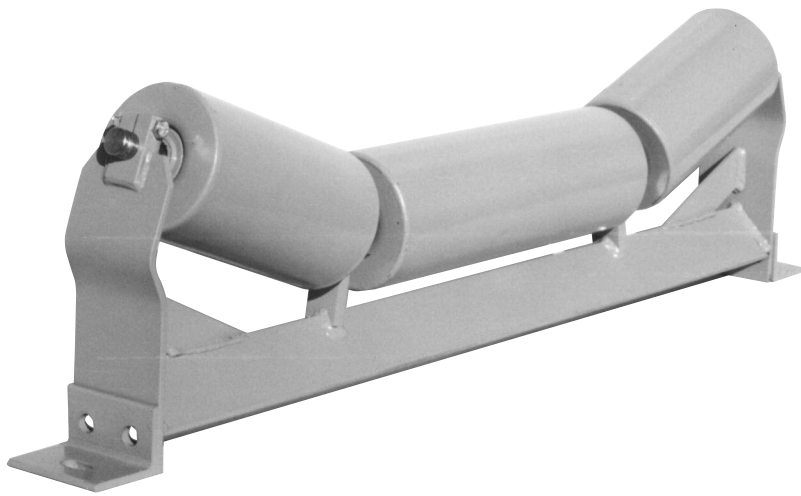
Belt Width	B	C	Part Number	Bracket	E	F	Part Number	Bracket	E	F	End Roller	Center Roller	Center Pins	End Pins	Weight in lbs
30	18 1/2	31 3/8	MJP3020-1	TRB123	40	38	MJP3020-2	TRB124	41	39	S450608	S451808	SS4584	SS4581	43
36	24 1/2	37 3/8	MJP3620-1	TRB123	46	44	MJP3620-2	TRB124	47	45	S450608	S452408	SS4584	SS4581	48
42	30 1/2	43 3/8	MJP4220-1	TRB123	52	50	MJP4220-2	TRB124	53	51	S450608	S453008	SS4584	SS4581	57
48	36 1/2	49 3/8	MJP4820-1	TRB123	58	56	MJP4820-2	TRB124	59	57	S450608	S453608	SS4584	SS4581	67

3 - Roll Steel Rollers 20-Degree Picking

4 1/2" Dia. Rollers, Sealed for Life Bearings



Belt Width	Part Number	B	C	E	F	End Rollers	Center Roller	Center Pins	End Pins	Weight in lbs
30	MJSTP3020	18 1/2	31 3/8	41	39	S450608	S451808	SS4585	SS4581	43
36	MJSTP3620	24 1/2	37 3/8	47	45	S450608	S452408	SS4585	SS4581	48
42	MJSTP4220	30 1/2	43 3/8	53	51	S450608	S453008	SS4585	SS4581	57
48	MJSTP4820	36 1/2	49 3/8	59	57	S450608	S453608	SS4585	SS4581	67



MJP3020-1

Weights are approximate. Dimensions are in inches and subject to change without notice.