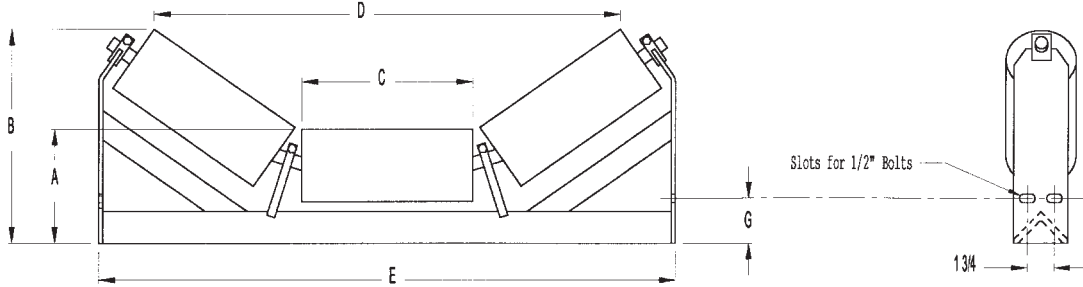


3-Roll Steel Rollers 35-Degree

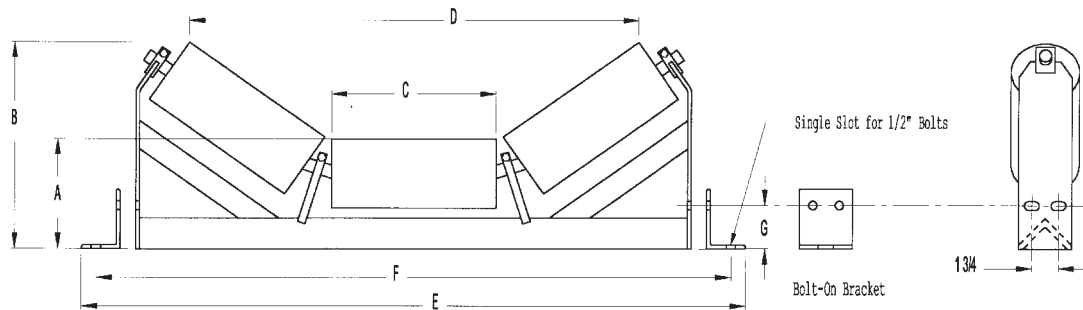
4 1/2" Dia. Rollers, Sealed for Life Bearings

Inside Mount



Belt Width	Part Number	A	B	C	D	E	G	Rollers	Center Pins	End Pins	Weight in lbs
18	MJ1835	8 1/2	12 1/2	6 1/2	17 3/4	24	1	S450608	SS4585	SS4581	31
24	MJ2435	7 7/8	12 7/8	8 1/2	23	30	1	S450808	SS4585	SS4581	37
30	MJ3035	7 1/8	13 1/4	10 1/2	28 1/4	36	2	S451008	SS4585	SS4581	46
36	MJ3635	7 1/8	14 3/8	12 1/2	33 1/2	42	2	S451208	SS4585	SS4581	54
42	MJ4235	7	15 3/8	14 1/2	38 7/8	48	2	S451408	SS4585	SS4581	62
48	MJ4835	7	16 1/2	16 1/2	44 1/8	54	2	S451608	SS4585	SS4581	72

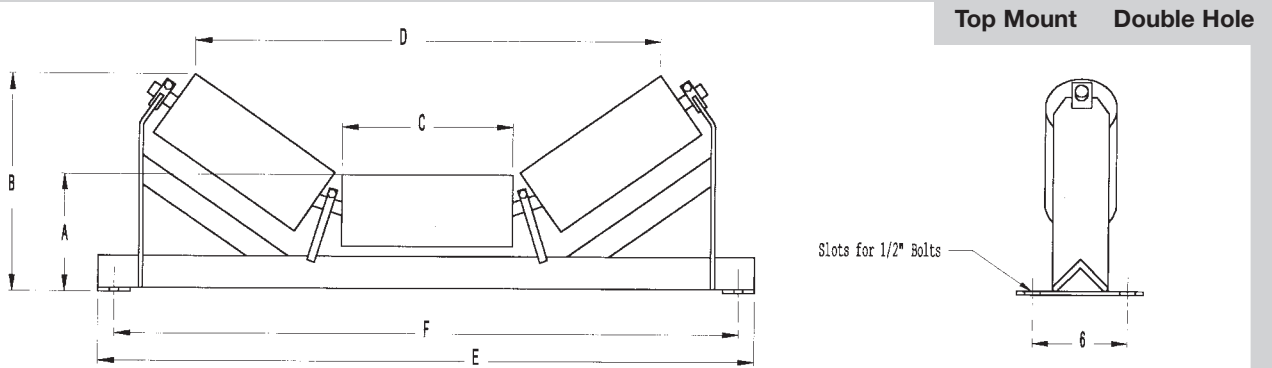
Top Mount Single Hole



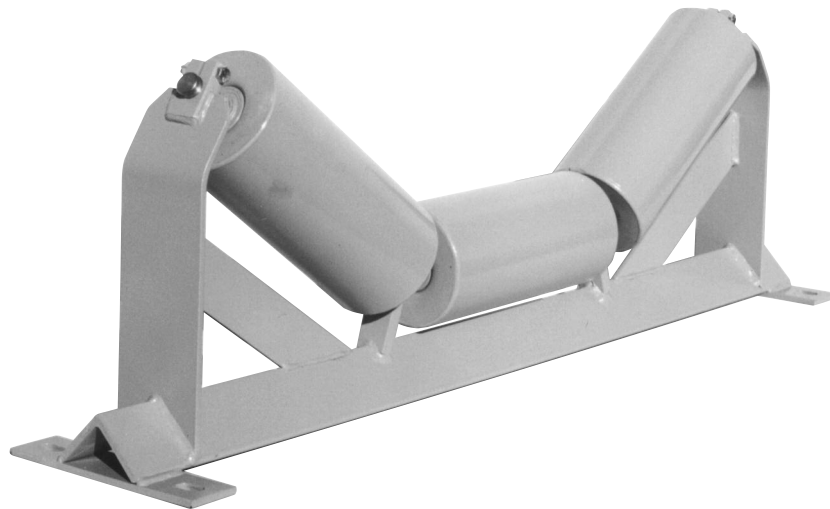
Belt Width	A	B	C	D	G	Part Number	E	F	Bracket	Part Number	E	F	Bracket	Rollers	Center Pins	End Pins	Weight in lbs
18	8 1/2	12 1/2	6 1/2	17 3/4	1	MJ1835-1	28	26	TRB121	MJ1835-2	29	27	TRB122	S450608	SS4585	SS4581	32
24	7 7/8	12 7/8	8 1/2	23	1	MJ2435-1	34	32	TRB121	MJ2435-2	35	33	TRB122	S450808	SS4585	SS4581	38
30	7 1/8	13 1/4	10 1/2	28 1/4	2	MJ3035-1	40	38	TRB123	MJ3035-2	41	39	TRB124	S451008	SS4585	SS4581	47
36	7 1/8	14 3/8	12 1/2	33 1/2	2	MJ3635-1	46	44	TRB123	MJ3635-2	47	45	TRB124	S451208	SS4585	SS4581	55
42	7	15 3/8	14 1/2	38 7/8	2	MJ4235-1	52	50	TRB123	MJ4235-2	53	51	TRB124	S451408	SS4585	SS4581	63
48	7	16 1/2	16 1/2	44 1/8	2	MJ4835-1	58	56	TRB123	MJ4835-2	59	57	TRB124	S451608	SS4585	SS4581	73

3-Roll Steel Rollers 35-Degree

4 1/2" Dia. Rollers, Sealed for Life Bearings



Belt Width	Part Number	A	B	C	D	E	F	Rollers	Center Pins	End Pins	Weight in lbs
18	MJST1835	7 1/4	11	6 1/2	17 3/4	29	27	S450608	SS4123	SS4581	32
24	MJST2435	7 1/4	12 1/8	8 1/2	23	35	33	S450808	SS4123	SS4581	38
30	MJST3035	7 1/4	13 1/4	10 1/2	28 1/4	41	39	S451008	SS4123	SS4581	47
36	MJST3635	7 1/4	14 1/2	12 1/2	33 1/2	47	45	S451208	SS4123	SS4581	55
42	MJST4235	7 1/4	15 5/8	14 1/2	38 7/8	53	51	S451408	SS4123	SS4581	63
48	MJST4835	7 1/4	16 1/2	16 1/2	44 1/8	59	57	S451608	SS4123	SS4581	73



MJST3035