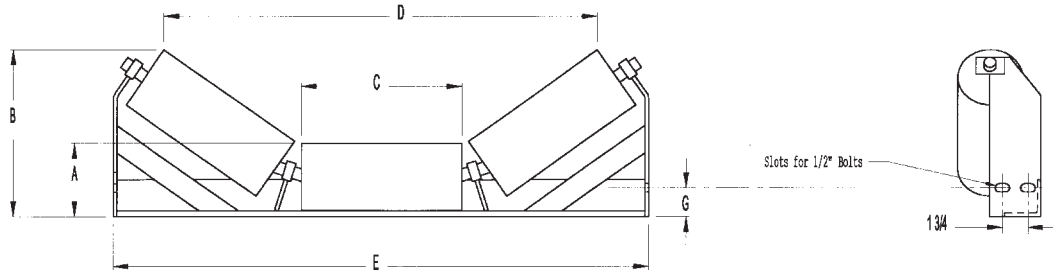


# 3-Roll Steel Rollers 35-Degree Low-Headroom

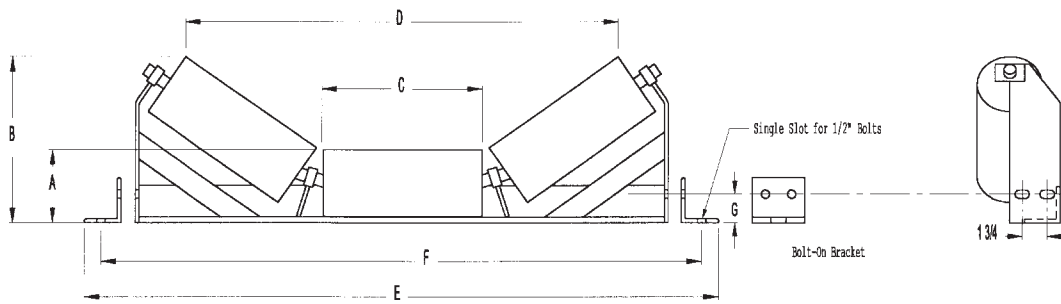
4 1/2" Dia. Rollers, Sealed for Life Bearings

Inside Mount



Belt Width	Part Number	A	B	C	D	E	G	Rollers	Center Pins	End Pins	Weight in lbs
18	MJL1835	4 7/8	8 5/8	6 3/8	17 1/4	23 1/2	1	S450606	SS4585	SS4581	32
24	MJL2435	4 7/8	9 7/8	8 1/2	23	29 1/2	1	S450808	SS4585	SS4581	38
30	MJL3035	4 7/8	11	10 1/2	28 1/4	35 1/2	2	S451008	SS4585	SS4581	47
36	MJL3635	4 7/8	12 1/8	12 1/2	33 1/2	41 1/2	2	S451208	SS4585	SS4581	55
42	MJL4235	4 7/8	13 1/4	14 1/2	38 7/8	47 1/2	2	S451408	SS4585	SS4581	63
48	MJL4835	4 7/8	14 3/8	16 1/2	44 1/8	53 1/2	2	S451608	SS4585	SS4581	73

Top-Mount Single Hole



Belt Width	A	B	C	D	G	Part Number	E	F	Bracket	Part Number	E	F	Bracket	Rollers	Center Pins	End Pins	Weight in lbs
18	4 7/8	8 5/8	6 3/8	17 1/4	1	MJL1835-1	28	26	TRB121	MJL1835-2	29	27	TRB122	S450606	SS4585	SS4581	33
24	4 7/8	9 7/8	8 1/2	23	1	MJL2435-1	34	32	TRB121	MJL2435-2	35	33	TRB122	S450808	SS4585	SS4581	39
30	4 7/8	11	10 1/2	28 1/4	2	MJL3035-1	40	38	TRB123	MJL3035-2	41	39	TRB124	S451008	SS4585	SS4581	48
36	4 7/8	12 1/8	12 1/2	33 1/2	2	MJL3635-1	46	44	TRB123	MJL3635-2	47	45	TRB124	S451208	SS4585	SS4581	56
42	4 7/8	13 1/4	14 1/2	38 7/8	2	MJL4235-1	52	50	TRB123	MJL4235-2	53	51	TRB124	S451408	SS4585	SS4581	64
48	4 7/8	14 3/8	16 1/2	44 1/8	2	MJL4835-1	58	56	TRB123	MJL4835-2	59	57	TRB124	S451608	SS4585	SS4581	74